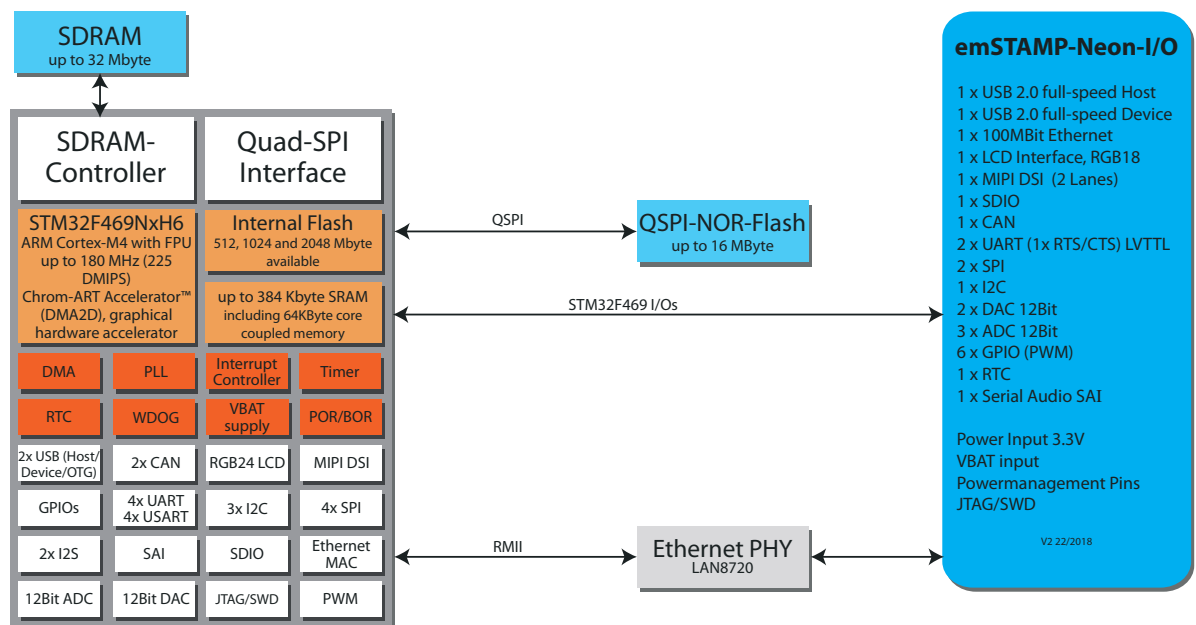


emSTAMP-Neon

with STMicroelectronics STM32F4 Cortex-M4 controller



Powered by **goal** Technology



Getting started with your embedded development!

Reduce your time to market with emtrion Developer Kits!

With an emtrion developer kit you can easily start your application development and reduce your time to market.

Emtrion’s engineers are unique experts in hardware and software development. The embedded solutions are all from one source.

## emSTAMP-Neon



emSTAMP-Neon	
	
Operatingssystem	FreeRTOS
Linux	on request
CANopen Master/Slave	yes
EtherNet/IP	yes
DLR („Device Level Ring“)	yes
EtherCAT	coming soon
PROFINET CCB RT1	yes
Industrial Communication Middleware	GOAL by Port
CPU manufacturer	STMicroelectronics
CPU architecture	ARM Cortex-M4
CPU performance	180 MHz - 225 DMIPS
CPU	STM32F469
RAM	up to external 64 MByte SDRAM, internal 348 KByte
Flash	up to 2 MByte internal Flash, QSPI 16 MByte external
Ethernet	1 x 100MBit
Graphics	Chrom-Art Accelerator (DMA 2D)
USB 2.0	1 x Host, 1 x Device
CAN	1 x
I <sup>2</sup> C	1 x
I <sup>2</sup> S	1 x
SPI	2 x
SD-Card	1 x
LCD DSI	2 data lanes 24-bit RGB
LCD	RGB 18-bit
Input (ADC)	3 x
Output (DAC)	2 x
Reset (In)	yes
GPIO	6 x
PWM	6 x complementary PWM outputs
JTAG	yes
Operating temperature	0...+70°C, opt. -40...+85°C
Customer specific solutions	yes
easy layout integration	1,0 mm I/O-Pitch

Subject to change without notice.  
Rev1: 3/5/2018



### Getting started with your embedded development!

#### Reduce your time to market with emtrion Developer Kits!

With an emtrion developer kit you can easily start your application development and reduce your time to market.

Emtrion's engineers are unique experts in hardware and software development. The embedded solutions are all from one source.

